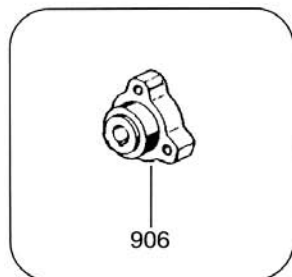


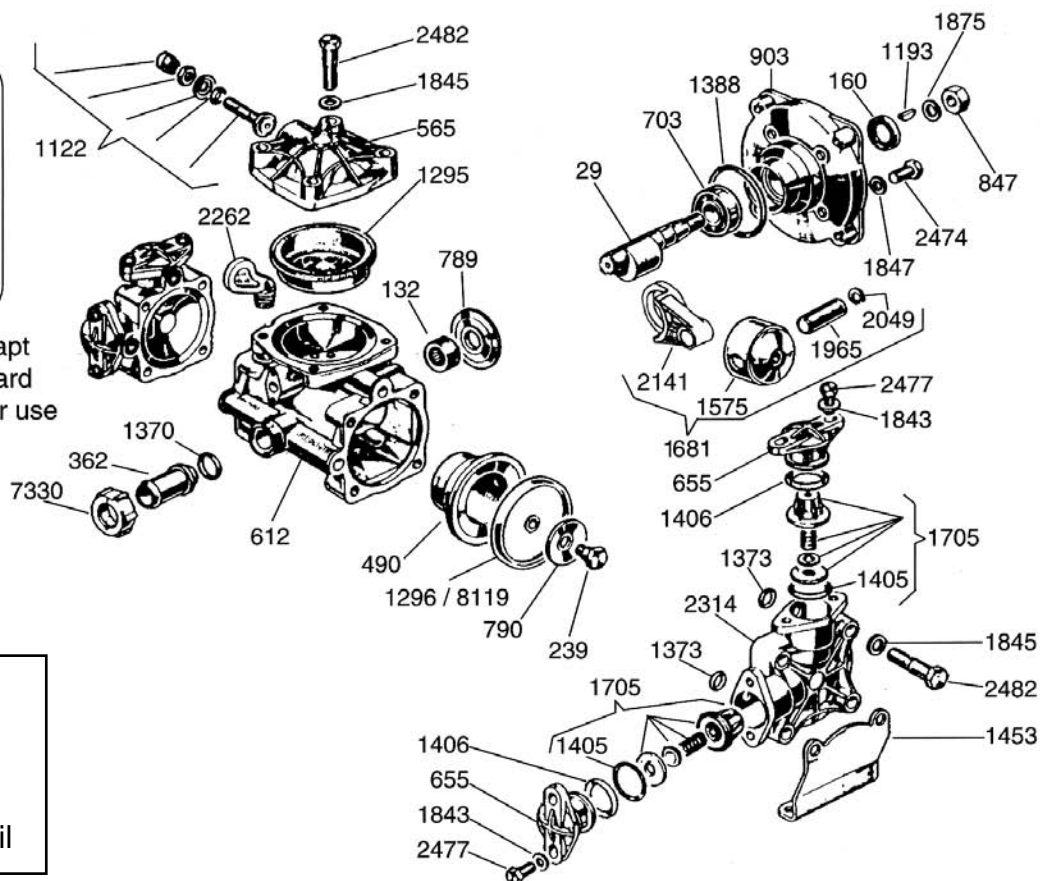


IOTA-20

Exploded View Diagram and Parts List



Ref #906 is needed to adapt the crank shaft to a standard 3-bolt mounting pattern for use with all shaft kits.



IOTA-20 PUMP

Requires 7 oz.

UDOR LUBE,

or SAE 30W

Non-detergent Oil

REF#	PART#	DESCRIPTION	QTY	REF#	PART#	DESCRIPTION	QTY
29	0002.E2	Crankshaft	1	1388	1101.36	O-Ring	1
132	0006.01	Bearing	1	1405	1101.10	O-Ring	4
160	0007.11	Seal	1	1406	1101.17	O-Ring	4
239	0102.02	Diaphragm Bolt	2	1453	1202.17	Mounting Rail	2
362	0202.A1	Suction Barb	1	1575	1205.13	Piston	2
490	0206.16	Piston Sleeve	2	1681	6000.86	Piston & Rod Assembly	2
565	0208.31	Accumulator Head	1	1705	6006.04	Valve Assembly	4
612	0209.90	Pump Body	1	1843	1403.07	Washer	8
655	0211.04	Valve Retainer	4	1845	1403.10	Washer	8
703	0214.08	Ball Bearing	1	1847	1403.12	Washer	4
789	0301.08	Washer	1	1875	1404.01	Washer	1
790	0301.09	Retainer Washer	2	1965	1502.04	Connecting Rod Pin	2
847	0303.10	Hex Nut	1	2049	1506.11	Snap Ring	2
903	0501.47	Flange	1	2141	0103.56	Connecting Rod	2
906	0501.05	Crankshaft Adapter	1	2262	1603.24	Plug	1
1122	0608.16	Air Valve Assembly	1	2314	1604.B8	Head	2
1193	0801.03	Key	1	2474	1804.57	Bolt	4
*1295	0903.08	Accumulator Diaphragm	1	2477	1804.67	Bolt	8
1296	0903.09	Piston Diaphragm (BUNA-N) optional	2	2482	1804.09	Bolt	12
1370	1101.A2	O-Ring	1	7330	0604.29	Barb Nut	1
*1373	1101.52	O-Ring	4	*8119	0903.41	Piston Diaphragm (DESMOPAN)	2

* Parts Included in Diaphragm Repair Kit - #8700.01. (Also available in BUNA-N - #8700.08.)



IOTA-20

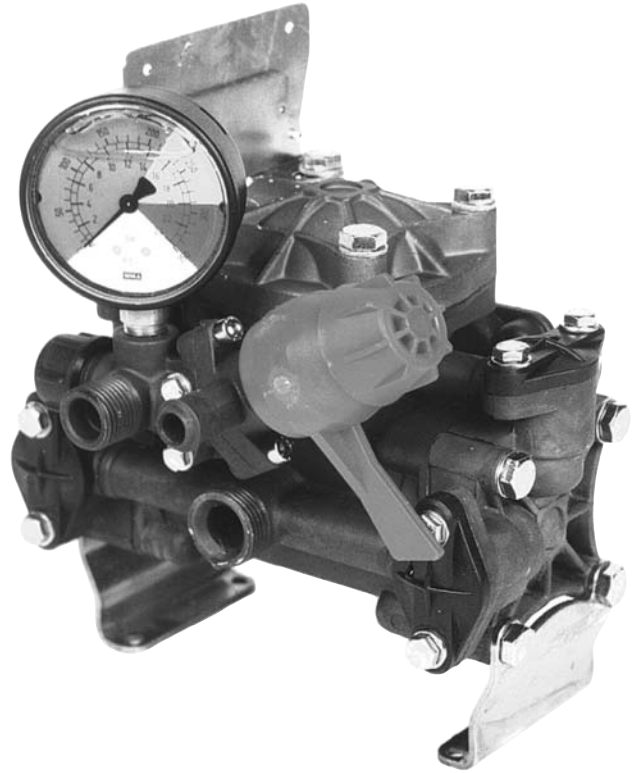
Low Pressure Diaphragm Pump

IOTA-20 low pressure diaphragm pumps are excellent for various horticultural, lawn care, nursery and turf spraying applications. They are also effectively utilized in other applications such as hydrostatic testing, concrete seal coating and cleaning. Simplicity of design and common parts allow easy and affordable maintenance. Built-in pulsation dampener, control valve and pressure gauge are standard.

The IOTA-20 is constructed of anodized aluminum with stainless steel anodized aluminum liquid handling parts.

Drive options include:

5094.76	3-5 HP Gear Reduction
7750.31	3/4" Solid Keyed Shaft and Bolts
7751.A3	1" Solid Keyed Shaft and Bolts
7752.A2/BK-17	1-3/8" 6-Spline Female Adapter and Bolts, Torque Arm, Chains and Safety Shield.
5091.D9	Gear Reduction for 2.2-3.5 HP w/ 5/8" Shaft.



For industrial uses and spraying applications not listed, please consult UDOR U.S.A.

SPECIFICATIONS

Maximum Flow	5.0 GPM
Maximum Pressure	275 PSI
Maximum Temperature	140° F
Hose Barb Ports	
Inlet	3/4"
Discharge	3/8"
Bypass	5/8"
Dimensions	L-8.2" x W-7.5" x H-8.2"
Weight	14 lbs.
Diaphragm Material	
Standard	DESMOPAN
Optional	BUNA-N

NOTE - Protect pumps from freezing. If freezing conditions exist, flush pump and system with a 50/50 mixture of antifreeze and water.